



PULP & PAPER

# POWERHEAD

THREE-STEP SOLID DISC  
TURNKNIFE SYSTEM

**ANDRITZ**

ENGINEERED SUCCESS





# Innovative thinking

At ANDRITZ we integrate innovative thinking and modern technology with 400 years of manufacturing heritage. We aim to provide top-quality chipping and debarking tools to sawmills and the forest industry for centuries to come.



# Boost quality, performance and economy

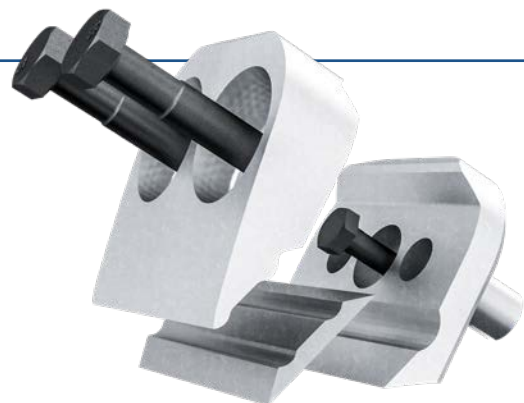
The PowerHead combines the art of engineering with skilled craftsmanship and fits most existing sawlines. The high inertia yields better performance with deeper cuts and flare butts, while maintaining chip quality. The PowerHead utilizes a single, compact knife clamping assembly in all positions of the canter head.

[A CLOSER LOOK AT POWERHEAD SPECIFICATIONS >](#)

---

## OUR REVERSIBLE TURNKNIFE

The reversible TurnKnife system has already taken chipping to a new level. High availability without regrinding - just reverse the knife and keep going. Our patented knife system means that the knife can easily be reversed and correctly positioned by a single person. A canter will be even better with TurnKnife systems.



# PH-65

Dimension	1,110 mm
Diameter (saw blade)	660 mm (pre-sawing)
Diameter (saw blade)	600 mm (post sawing)
Logging depth	184 mm
Maximum rpm	1,000
Knife	TurnKnife System III (TK-III)



# PH-71

Dimension	1,090 mm and 1,200 mm
Diameter (saw blade)	720 mm (pre-sawing)
Diameter (saw blade)	660 mm (post sawing)
Logging depth	184 mm
Maximum rpm	1,000
Knife	TurnKnife System III (TK-III)

# PH-84

Dimension	1,310 mm and 1,410 mm
Diameter (saw blade)	850 mm (pre-sawing)
Diameter (saw blade)	795 mm (post sawing)
Logging depth	170 mm
Maximum rpm	1,000
Knife	TurnKnife System III (TK-III)





# Full commitment on all levels

## **LEVEL ONE: UPGRADE AN EXISTING SAWLINE**

The high quality PowerHead is easy to install on almost any existing sawline in order to increase chip quality and efficiency.

## **LEVEL TWO: UPGRADE TO TURNABLE KNIVES**

Almost any canter available can be upgraded with the patented TurnKnife system for precise production ensuring safety, best chip technology and efficiency.

## **LEVEL THREE: ANALYZE CHIP QUALITY**

The ANDRITZ ScanChip optical chip analysis system services the sawmill with fast and accurate information on chip quality for optimization of the chipping process.

## **LEVEL FOUR: PREMIUM SUPPORT PLAN**

The PartnerChip plan gives you 24h service from our experts to ensure continuous high-performance service. On a fixed-fee basis, we help you maintain the most efficient and profitable chip production possible.



**APAC**

ANDRITZ Pty Ltd  
p: +64 29 7777 117  
knifesytems.se@andritz.com

**NORTH AMERICA**

ANDRITZ Inc  
p: +1 813 855 6902  
knifesytems.us@andritz.com

**CANADA**

ANDRITZ Ltd  
p: +1 450 973 4343  
knifesytems.ca@andritz.com

**SOUTH AMERICA**

ANDRITZ Ltda  
p: +56 9 3993 4275  
knifesytems.se@andritz.com

**EMEA**

ANDRITZ AB  
p: +46 650 291 00  
knifesytems.se@andritz.com

**ANDRITZ.COM****ANDRITZ**

All data, information, statements, photographs and graphic illustrations in this leaflet are without any obligation and raise no liabilities to or form part of any sales contracts of ANDRITZ AG or any affiliates for equipment and/or systems referred to herein. © ANDRITZ AG 2021. All rights reserved. No part of this copyrighted work may be reproduced, modified or distributed in any form or by any means, or stored in any database or retrieval system, without the prior written permission of ANDRITZ AG or its affiliates. Any such unauthorized use for any purpose is a violation of the relevant copyright laws. ANDRITZ AG, Stattegger Strasse 18, 8045 Graz, Austria. PowerHead.07/07.2021 EN

